

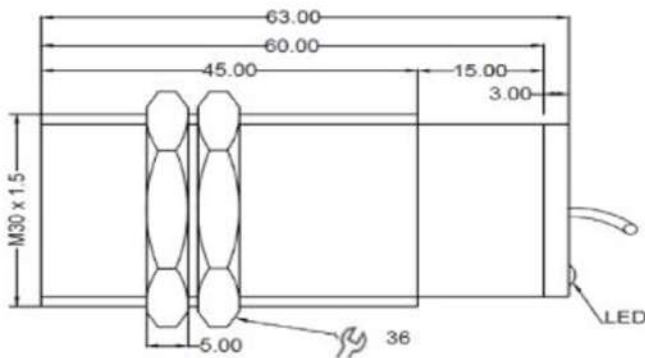


SMTL[®]
SENSORS

CYLINDRICAL INDUCTIVE SENSORS



DIMENSIONS



APPLICATIONS

Special feature

- Vibration and shock resistant
- Increased sensing range
- Suitable for industrial, mobile applications and Factory automations
- High protection rating for the requirements of harsh industrial environments

TECHNICAL SPECIFICATION

General Specification

Size	M-30
Output type	3 - WIRE DC
Sensing Distance Sn	10 mm
Object (mm)	30x30x1
Type	Flush
Logic	NPN
Frequency	500 Hz
Contact	NO/ NC/ 1NO+1NC

Nominal Ratings

Supply Voltage	10-30 V DC
Load Current	200mA
Operating Temperature (C)	55°
Switch Point Hysteresis H.	0.5 %
No Load Current (mA)	7 mA
Voltage Drop U (V)	1 volt
Switching Frequency	500 Hz
Reverse Polarity Protection	Yes
Short Circuit Protection	Yes

Mechanical Specification

Environmental Protection	IP67
Housing type	Threaded
Housing Material	Brass Nickel Plated
Wire (sq. mm)	3C x 0.20
Mounting	Flush Mountable

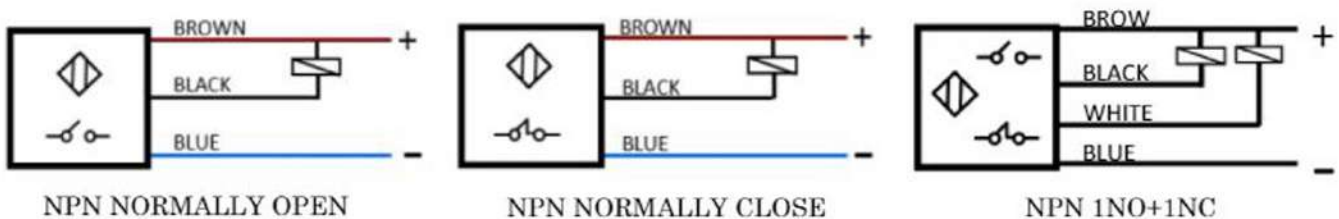
Display/Indicator

Display	Switching status LED, Red
---------	------------------------------

Catalogue	SMTL 3010FPO/PC SMTL 3010FNO/NC
-----------	------------------------------------



CONNECTIONS



NPN NORMALLY OPEN

NPN NORMALLY CLOSE

NPN 1NO+1NC

SHREE MAHALAXMI TRADE LINKS

Address: 205,334-E, Dattawad Renaissance, Shahupuri, Kolhapur-India-416001

Mob.: 7741999777 Email: info@smtlgroup.com Website: http://www.smtlgroup.com

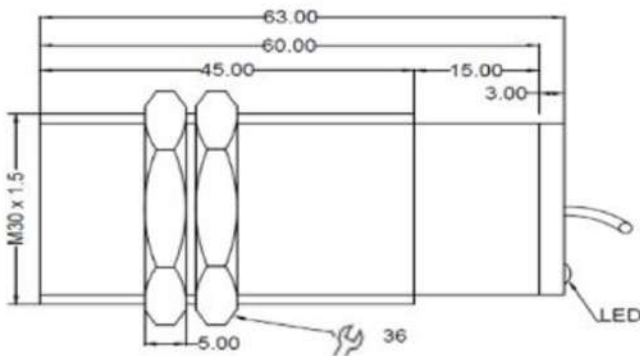


SMTL[®]
SENSORS

CYLINDRICAL INDUCTIVE SENSORS



DIMENSIONS



APPLICATIONS

Special feature

- Vibration and shock resistant
- Increased sensing range
- Suitable for industrial, mobile applications and Factory automations
- High protection rating for the requirements of harsh industrial environments

TECHNICAL SPECIFICATION

General Specification

Size	M-30
Output type	3 - WIRE DC
Sensing Distance Sn	10 mm
Object (mm)	30x30x1
Type	Flush
Logic	PNP
Frequency	500 Hz
Contact	NO/ NC/ 1NO+1NC

Nominal Ratings

Supply Voltage	10-30 V DC
Load Current	200mA
Operating Temperature (C)	55°
Switch Point Hysteresis H.	0.5 %
No Load Current (mA)	7 mA
Voltage Drop U (V)	1 volt
Switching Frequency	500 Hz
Reverse Polarity Protection	Yes
Short Circuit Protection	Yes

Mechanical Specification

Environmental Protection	IP67
Housing type	Threaded
Housing Material	Brass Nickel Plated
Wire (sq. mm)	3C x 0.20
Mounting	Flush Mountable

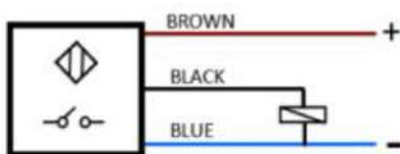
Display/Indicator

Display	Switching status LED, Red
---------	------------------------------

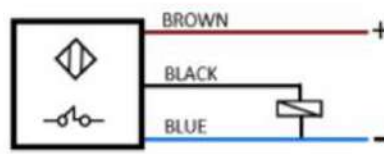
Catalogue	SMTL 3010FPO/PC SMTL 3010FNO/NC
-----------	------------------------------------



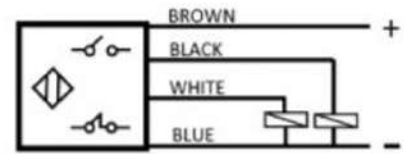
CONNECTIONS



PNP NORMALLY OPEN



PNP NORMALLY CLOSE



PNP 1NO+1NC

SHREE MAHALAXMI TRADE LINKS

Address: 205,334-E, Dattawad Renaissance, Shahupuri, Kolhapur-India-416001

Mob.: 7741999777

Email: info@smtlgroup.com

Website: http://www.smtlgroup.com

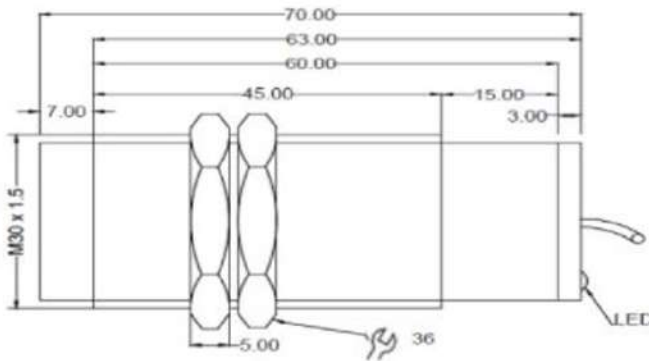


SMTL[®]
SENSORS

CYLINDRICAL INDUCTIVE SENSORS



DIMENSIONS



APPLICATIONS

Special feature

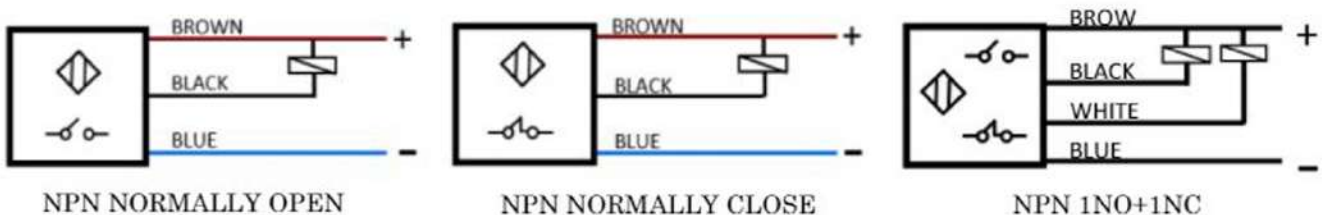
- Vibration and shock resistant
- Increased sensing range
- Suitable for industrial, mobile applications and Factory automations
- High protection rating for the requirements of harsh industrial environments

TECHNICAL SPECIFICATION

General Specification	
Size	M-30
Output type	3 - WIRE DC
Sensing Distance Sn	15 mm
Object (mm)	30x30x1
Type	Non Flush
Logic	NPN
Frequency	500 Hz
Contact	NO/ NC/ 1NO+1NC
Nominal Ratings	
Supply Voltage	10-30 V DC
Load Current	200mA
Operating Temperature (C)	55°
Switch Point Hysteresis H.	0.5 %
No Load Current (mA)	7 mA
Voltage Drop U (V)	1 volt
Switching Frequency	500 Hz
Reverse Polarity Protection	Yes
Short Circuit Protection	Yes
Mechanical Specification	
Environmental Protection	IP67
Housing type	Threaded
Housing Material	Brass Nickel Plated
Wire (sq. mm)	3C x 0.20
Mounting	Non Flush Mountable
Display/Indicator	
Display	Switching status LED, Red
Catalogue	SMTL3015NFPO/PC SMTL3015NFNO/NC



CONNECTIONS



SHREE MAHALAXMI TRADE LINKS

Address: 205,334-E, Dattawad Renaissance, Shahupuri, Kolhapur-India-416001
Mob.: 7741999777 Email: info@smtlgroup.com Website: http://www.smtlgroup.com

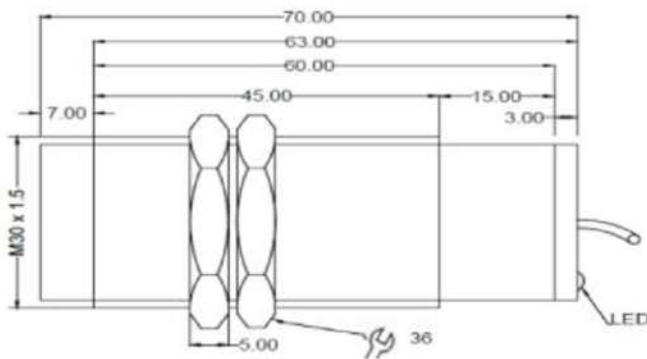


SMTL[®]
SENSORS

CYLINDRICAL INDUCTIVE SENSORS



DIMENSIONS



APPLICATIONS

Special feature

- Vibration and shock resistant
- Increased sensing range
- Suitable for industrial, mobile applications and Factory automations
- High protection rating for the requirements of harsh industrial environments

TECHNICAL SPECIFICATION

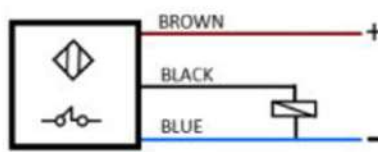
General Specification	
Size	M-30
Output type	3 - WIRE DC
Sensing Distance Sn	15 mm
Object (mm)	30x30x1
Type	Non Flush
Logic	PNP
Frequency	500 Hz
Contact	NO/ NC/ 1NO+1NC
Nominal Ratings	
Supply Voltage	10-30 V DC
Load Current	200mA
Operating Temperature (C)	55°
Switch Point Hysteresis H.	0.5 %
No Load Current (mA)	7 mA
Voltage Drop U (V)	1 volt
Switching Frequency	500 Hz
Reverse Polarity Protection	Yes
Short Circuit Protection	Yes
Mechanical Specification	
Environmental Protection	IP67
Housing type	Threaded
Housing Material	Brass Nickel Plated
Wire (sq. mm)	3C x 0.20
Mounting	Non Flush Mountable
Display/Indicator	
Display	Switching status LED, Red
Catalogue	SMTL3015NFPO/PC SMTL3015NFNO/NC



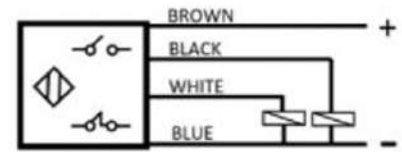
CONNECTIONS



PNP NORMALLY OPEN



PNP NORMALLY CLOSE



PNP 1NO+1NC

SHREE MAHALAXMI TRADE LINKS

Address: 205,334-E, Dattawad Renaissance, Shahupuri, Kolhapur-India-416001

Mob.: 7741999777

Email: info@smtlgroup.com

Website: http://www.smtlgroup.com